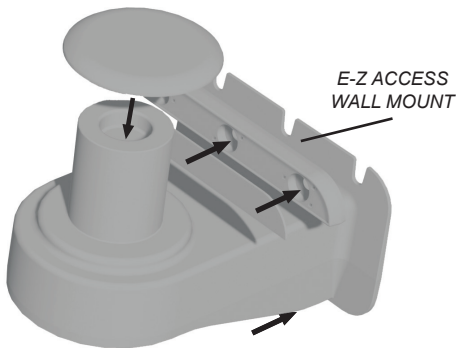




# E-Z ACCESS WALL MOUNT

*Available in White (A), Beige (G) and Gray (I)*



## **E-Z ACCESS SHELF**

20Z420A, 20Z420G, 20Z420I

## **E-Z ACCESS SURFACE MOUNT**

20Z424A, 20Z424G, 20Z424I

## **E-Z ACCESS WALL MOUNT**

20Z426A, 20Z426G, 20Z426I

## **E-Z ACCESS SHELF 8" ARM**

20Z428A, 20Z428G, 20Z428I

## **E-Z ACCESS CUP HOLDER- SNAP ON**

20Z436I

*\*Mounting hardware not included. Please call your Service Technician for installation.*



Loser & Co. GmbH  
Benzstr. 1C. D51381  
Leverkusen, Germany  
+49-2171-706670

## **Zirc Dental Products, Inc.**

763.682.6636 | 800.328.3899

Fax: 763.682.6604 | zirc@zirc.com | zirc.com

20Z426LT Rev B 09/16