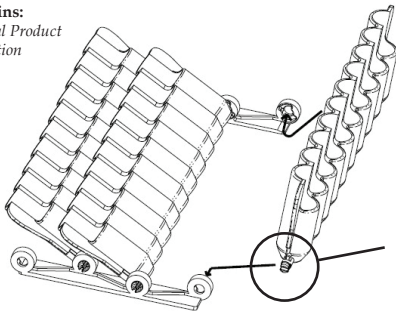


10-Unit Add-On

Assemble as shown:

Contains:
*Antimicrobial Product
Protection*



Zirc
Because Time Is Everything

CE

Call To Re-Order

Contact us: 763.682.6636 • 800.328.3899

Fax: 763.682.6604 • www.zirc.com

EC REP

Loser & Co. GmbH Benzstr. 1c, D51381 Leverkusen Germany

+49-2171-706670

20Z487LT REV C 03/14